

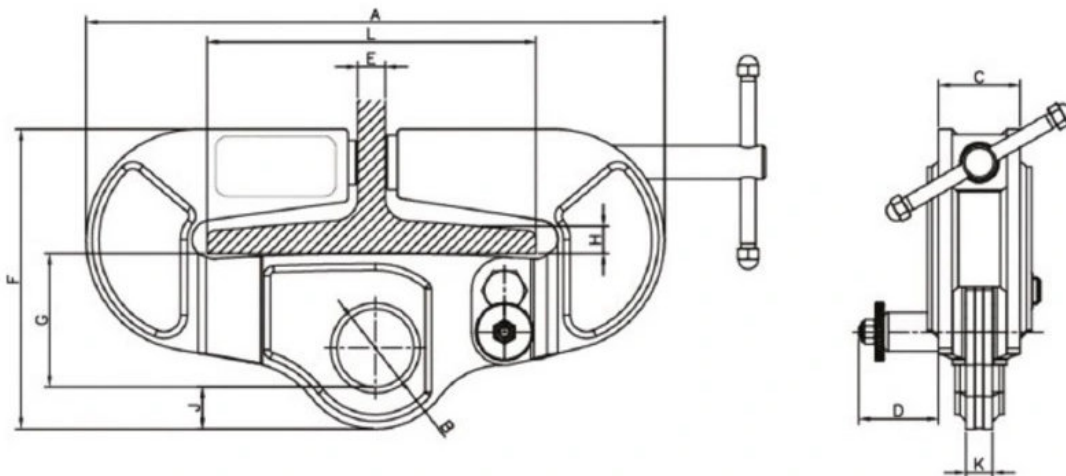
Universal Beam Clamp - AUBC

ABS Universal Beam Clamps are the ideal clamps for use where normal beam clamps are not suitable. Designed for vertical and side load use, the AUBC clamp is the most flexible clamp for various lifting or pulling applications.

Available in 3 sizes - 3 Tonne, 5 Tonne and 10 Tonne capacity without de-rating of capacity for side loading.



- Features:
1. Pulling and Lifting at angles
 2. Three different capacities
 3. Adjustable Beam Width
 4. Low Headroom
 5. 4:1 Safety Factor
 6. Complies with ASME B30.20 and EN13155:2003+A2:2009



Model	WLL	A mm	B mm	C mm	D mm	E mm	F mm	G mm	H mm	Beam Width mm	Net Weight kg
AUBC3	3T	550	237	28,0	∅ 60	32	133	20	20	125 – 204	14,7
AUBC5	5T	615	275	37,5	∅ 75	32	157	24	44	125 – 305	28,3
AUBC10	10T	615	275	35,0	∅ 80	32	225	44	44	125 – 305	37,8